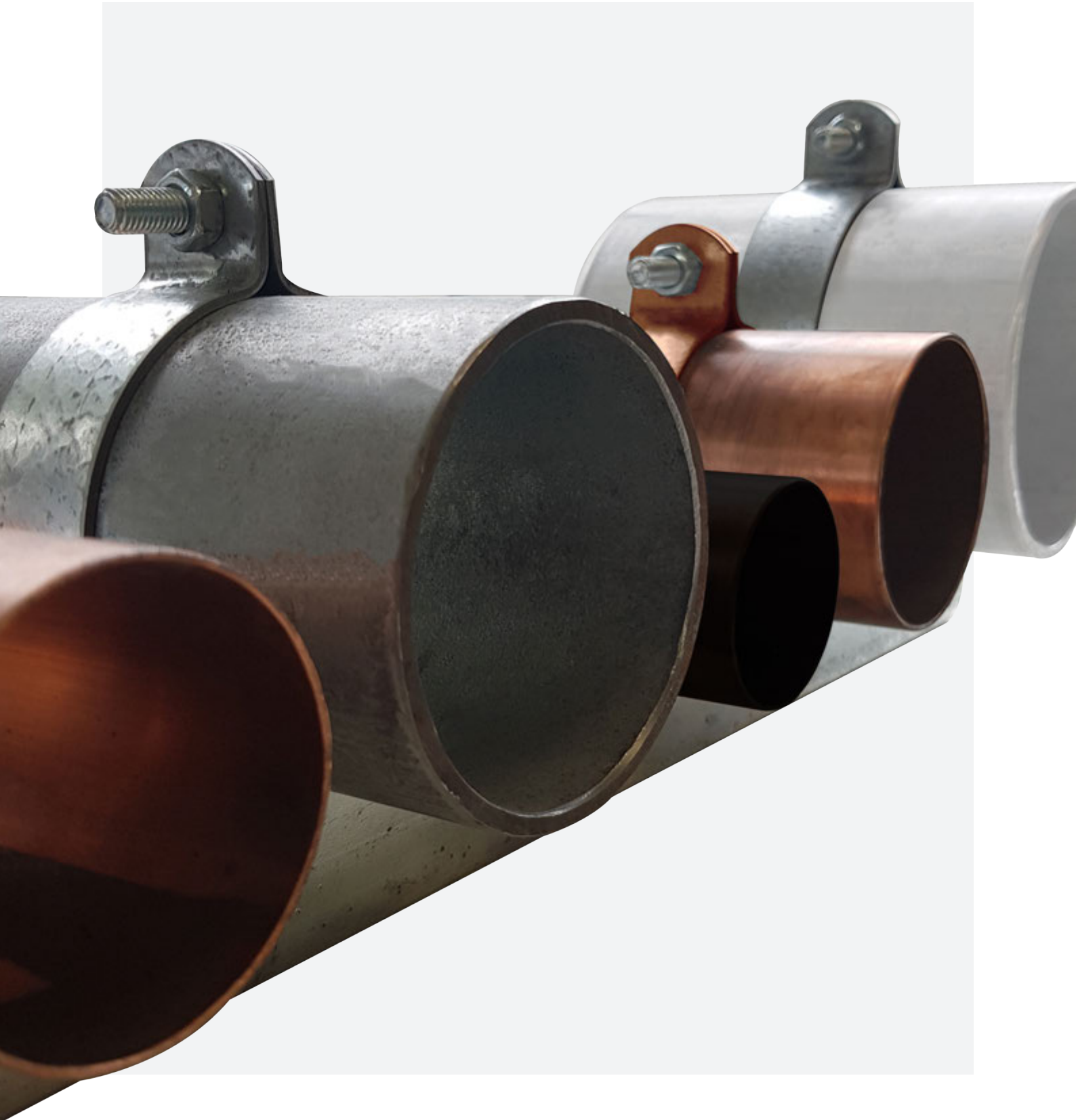


CHANNEL CLIPS

- BY ABEY AUSTRALIA -

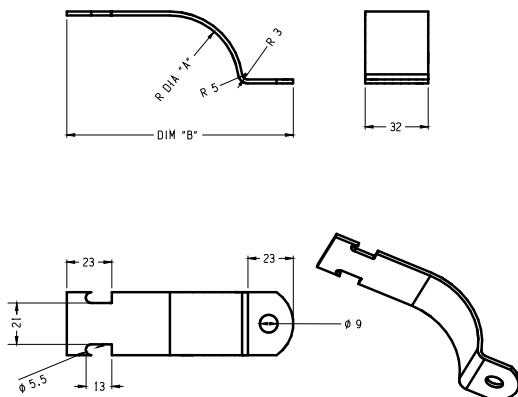
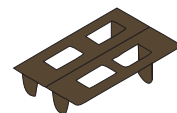


THE TRADESMAN'S CHOICE

CHANNEL CLIPS FOR COPPER PIPE

COATED & GALVANISED STEEL 32MM X 2MM

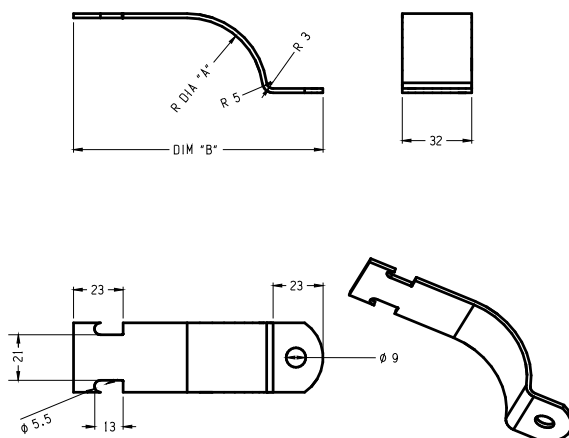
BARRIER STRIP INCLUDED
Prevents contact between copper pipe and galvanised channel.



COPPER ABEY CODE	COPPER COATED ABEY CODE	PIPE SIZE	ACTUAL DIA "A"	DIM "B"	MATERIAL THICKNESS
CC01C	CC01CTD	15MM	12.7MM	55MM	1.5MM
CC03C	CC03CTD	20MM	19MM	64MM	1.5MM
CC05C	CC05CTD	25MM	25.4MM	70MM	1.5MM
CC08C	CC08CTD	32MM	31.8MM	78MM	2.0MM
CC10C	CC10CTD	40MM	38.1MM	84MM	2.0MM
CC13C	CC13CTD	50MM	51.2MM	96MM	2.5MM
CC17C	CC17CTD	65MM	63.5MM	110MM	2.5MM
CC21C	CC21CTD	80MM	76.2MM	122MM	2.5MM
CC29C	CC29CTD	102MM	150MM	150MM	2.5MM
CC36C	CC36CTD	125MM	127MM	178MM	2.5MM
CC39C	CC39CTD	152MM	152MM	208MM	2.5MM
CC43C	CC43CTD	200MM	203MM	251MM	2.5MM
CC45C	CC45CTD	252MM	252MM	300MM	2.5MM
CC47C	CC47CTD	300MM	302MM	350MM	2.5MM

CHANNEL CLIPS FOR PVC, STEEL & PRESSURE

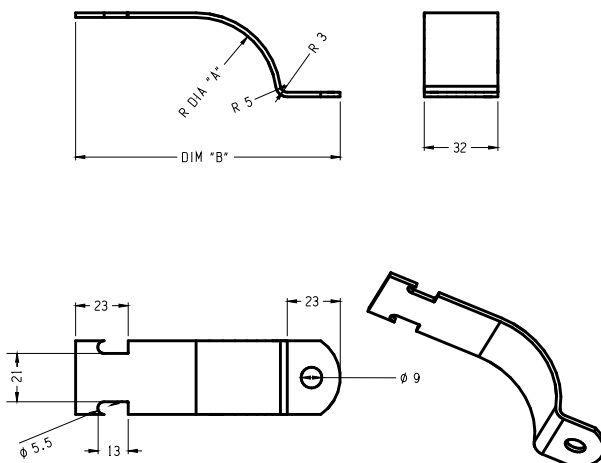
GALVANISED STEEL 32MM X 2MM



STEEL, PVC, PRESSURE PIPE	PIPE SIZE	ACTUAL DIA "A"	DIM "B"	MATERIAL THICKNESS
CC04P	15MM	21MM	66MM	1.5MM
CC06P	20MM	27MM	73MM	1.5MM
CC09P	25MM	34MM	80MM	2.0MM
CC11P	32MM	43MM	88MM	2.0MM
CC12P	40MM	48MM	94MM	2.0MM
CC16P	50MM	60MM	106MM	2.5MM
CC20P	65MM	76MM	122MM	2.5MM
CC25P	80MM	89MM	135MM	2.5MM
CC33P	100MM	114MM	163MM	2.5MM
CC38P	125MM	140MM	192MM	2.5MM
CC41P	150MM	165MM	213MM	2.5MM
CC46P	250MM	275MM	323MM	2.5MM

CHANNEL CLIPS FOR HDPE & CONDUIT

GALVANISED STEEL 32MM X 2MM



HDPE, CONDUIT	PIPE SIZE	ACTUAL DIA "A"	DIM "B"	MATERIAL THICKNESS
CC07H	29MM	29MM	73MM	2.0MM
CC14H	54MM	54MM	100MM	2.5MM
CC15H	57MM	57MM	103MM	2.5MM
CC18H	67MM	67MM	113MM	2.5MM
CC19H	70MM	70MM	117MM	2.5MM
CC22H	79MM	79MM	122MM	2.5MM
CC23H	83MM	83MM	130MM	2.5MM
CC24H	86MM	86MM	134MM	2.5MM
CC26H	92MM	92MM	140MM	2.5MM
CC27H	95MM	95MM	144MM	2.5MM
CC28H	98MM	98MM	147MM	2.5MM
CC30H	105MM	105MM	156MM	2.5MM
CC31H	108MM	108MM	158MM	2.5MM
CC32H	110MM	110MM	160MM	2.5MM
CC34H	117MM	117MM	166MM	2.5MM
CC35H	121MM	121MM	172MM	2.5MM
CC37H	133MM	133MM	187MM	2.5MM
CC40H	159MM	159MM	204MM	2.5MM
CC42H	178MM	178MM	226MM	2.5MM
CC44H	228MM	228MM	276MM	2.5MM